

CHANNEL S

Perfectly shaped diversity

PEOPLE LIGHT OUR WAY

CHANNEL S

Perfectly shaped diversity

CHANNEL S creates a pleasant atmosphere in any room. Its elegant appearance and first-class lighting quality make it particularly appealing for offices and adjoining zones. The extremely slender **CHANNEL S** is available in a wide variety of versions, with four different optics and several mounting options that allow the greatest scope in lighting planning. However, the luminaire does not only provide high-quality light and planning precision, but also makes a noticeable contribution to people's well-being thanks to the integrated Tunable White technology. So slim yet packed with sophisticated technology. **CHANNEL S** unites versatility with standard-compliant workplace lighting in a perfect form.

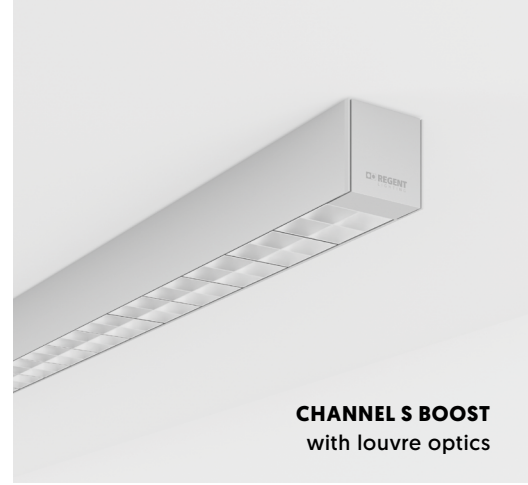




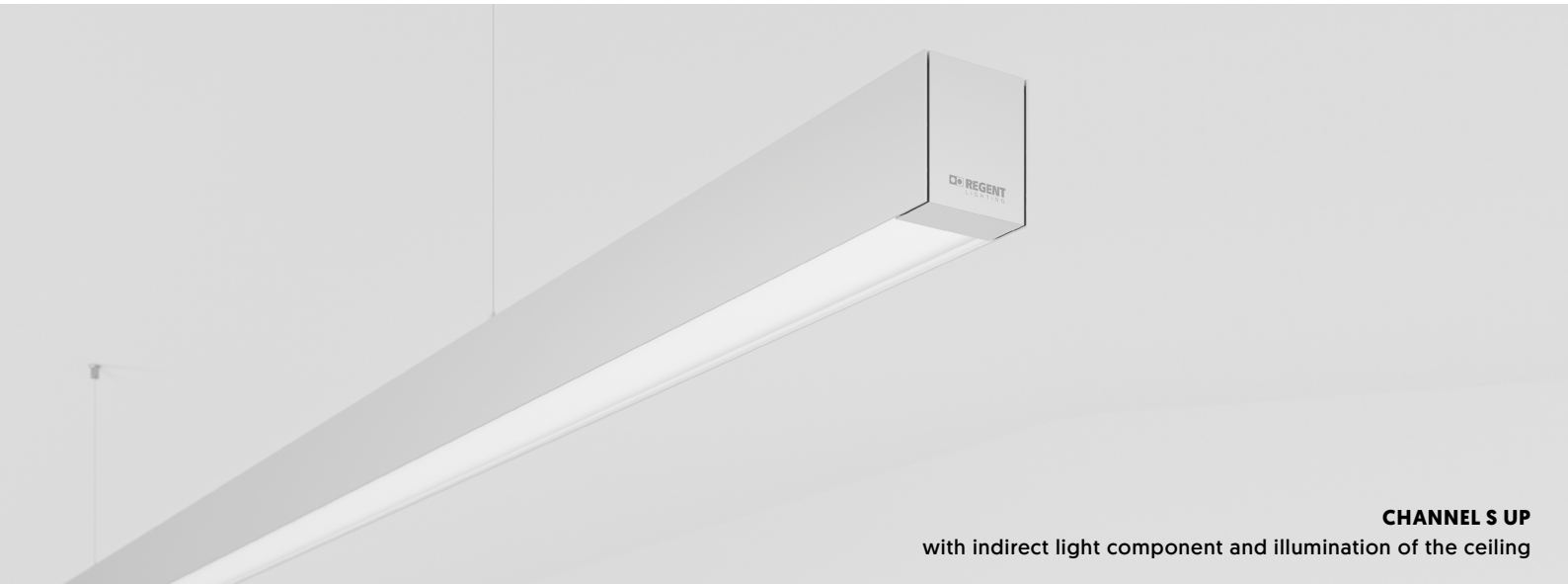
CHANNEL S
with opal diffuser RUN or
office-compatible diffuser RUN+



CHANNEL S
with asymmetric diffuser



CHANNEL S BOOST
with louvre optics



CHANNEL S UP
with indirect light component and illumination of the ceiling

Sleek and timeless design offers unique lighting moments

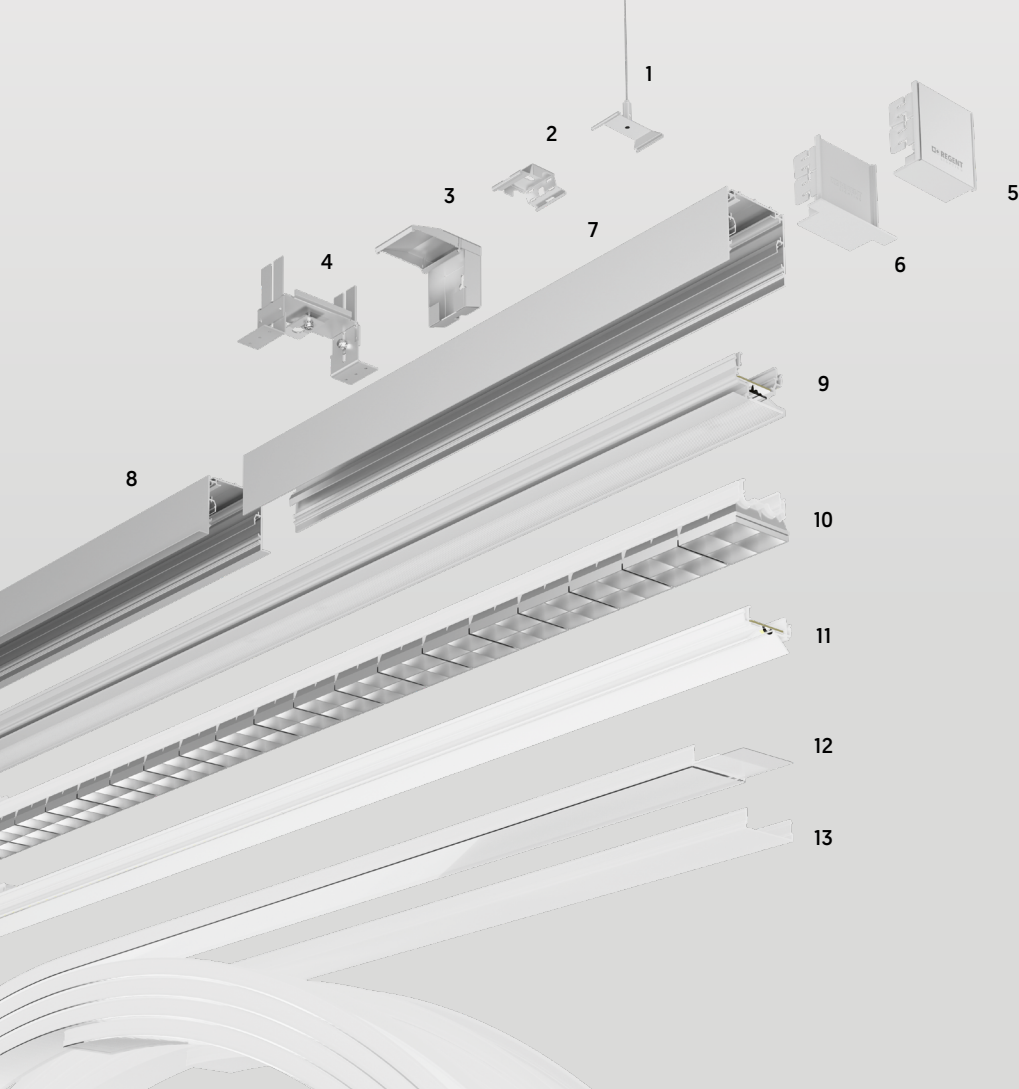
CHANNEL S is a particularly dainty line of light measuring only 65 mm in width and 60 mm in height without visible screws. This makes it look particularly harmonious and timelessly elegant in any environment, from office to classroom. Together with our innovative rollable **RUN** diffuser and the unique office-compliant **RUN+** version, **CHANNEL S** allows for continuous, seamless lines of light without gaps or shadows of up to 24 metres in length. In **CHANNEL S**, slim, unobtrusive design meets remarkable lighting technology.

Tunable White technology for increased well-being

CHANNEL S is not only available in the fixed colour temperatures warm white (3000 K) or neutral white (4000 K), but also in a tunable version in which the light can be continuously adjusted and personalised between warm white (2700 K) and cool white (6500 K). This aspect of Human Centric Lighting has been proven to significantly promote people's well-being.

Planning to the centimetre

To provide maximum flexibility in planning, the length of the entire system can be defined to the centimetre. This is achieved by combining LED inserts in different lengths and thanks to our **RUN** and the office-compliant **RUN+** diffusers, which can be conveniently shortened on site.



1. Wire cord suspension (pendant mounting)
2. Mounting spring (surface mounting, optional)
3. Wall bracket (mounting on walls)
4. Installation bracket (recessed mounting)
5. Set di parti frontali without ceiling trim
6. Set di parti frontali with ceiling trim
7. Support profile without ceiling trim
8. Support profile with ceiling trim
9. System batten luminaire asymmetric
10. System batten luminaire BOOST OFFICE
11. System batten luminaire for diffusers RUN and RUN+
12. Diffuser RUN+ CHANNEL S OFFICE, rollable
13. Diffuser RUN CHANNEL S, rollable

Different spatial effects through numerous mounting options

With four different mounting options, **CHANNEL S** is extremely versatile and allows for different spatial effects. Available as a recessed ceiling luminaire, ceiling and wall mounted luminaire, as a channel lighting system or as a pendant luminaire, **CHANNEL S** offers a variety of options for interior design. Thanks to the high luminous flux, the number of required products can be minimised, thus ensuring a sustainable reduction in costs.

Multiple versions for glare-free lighting in the office

In addition to the decorative **CHANNEL S**, we also offer **CHANNEL S OFFICE** and **CHANNEL S OFFICE BOOST**, two additional direct-beam versions which, thanks to perfect glare-free design, meet all the standards required for efficient office lighting.

CHANNEL S UP for even more possibilities

With an indirect light component up to 60 %, **CHANNEL S UP** accentuates the architecture of rooms particularly well via pleasant ceiling illumination and opens new possibilities for lighting design.

Now with asymmetrical light distribution

With our new diffuser for asymmetrical light distribution, available for **CHANNEL S** and **CHANNEL S UP**, we additionally enable standard-compliant blackboard lighting and wall illumination in classrooms.



With integrated diffuser **RUN** or **RUN+**

The new diffusers **RUN** and **RUN+**, specially developed for **CHANNELS** as well as for the existing **PURELITE SLIM** and **PURELITE** product ranges, create an endless, seamless line of beautiful light without gaps or shadows, and depending on the design, enable centimetre-precision planning up to 24 metres in length.

The advantages of **RUN+**

Unlike **RUN**, **RUN+** has been created specifically for the office environment where it meets and passes all standards for workplace lighting. **RUN+** is built around a new technology, designed to delight both architects and electricians. A thin foil which was developed by Regent Lighting and integrated into the diffuser. Aesthetically, we are leaving behind the world of microprismatic plates, and offer an aesthetic alternative with a refined, clear and clean surface. Practically, the **RUN+** diffuser is quick to install, easy to transport and store and enables material savings and thus allows completely flexible lighting design.



To the product

CHANNEL S and CHANNEL S UP product range overview

	CHANNEL S	CHANNEL S OFFICE	CHANNEL S BOOST OFFICE	CHANNEL S UP	CHANNEL S UP OFFICE	CHANNEL S UP BOOST OFFICE
Width x height						
61 x 65 mm	•	•	•			
71 x 65 mm				•	•	•
With diffuser RUN*	•			•		
With diffuser RUN+*		•			•	
With louvre optics Boost			•			•
With asymmetric diffuser	•			•		
Luminous flux max per 1.2 m up to						
1800 lm		•				
2700 lm	•					
4500 lm			•		•	
5300 lm				•		•
6000 lm				•		
Indirect light distribution						
55 %				•		
60 %					•	
22 %						•
Planning steps						
5 cm	•	•				
30 cm	•		•			
120 cm				•	•	•
Glare value						
UGR < 19		•	•	•	•	•
$L_{max} < 3000 \text{ cd/m}^2$		•	•		•	•
Colour temperature						
3000 K, 4000 K	•	•	•	•	•	•
2700 K – 6500 K	•	•		•	•	
Ingress protection						
IP20	•	•	•	•	•	•
IP40	•					
IP54	•					

All models are available as ceiling-recessed and ceiling-mounted luminaires, as channel lighting systems and, with the appropriate accessories, also as pendant versions.



* Diffuser **RUN** (or office-compatible Diffuser **RUN+**) for

continuous, seamless lines of light allowing precise planning up to 24 metres length depending on the product.

For more information, please visit www.regent.ch/en/channel-s
#peoplelightourway



Subject to technical modifications.
We assume no liability for printing errors.

